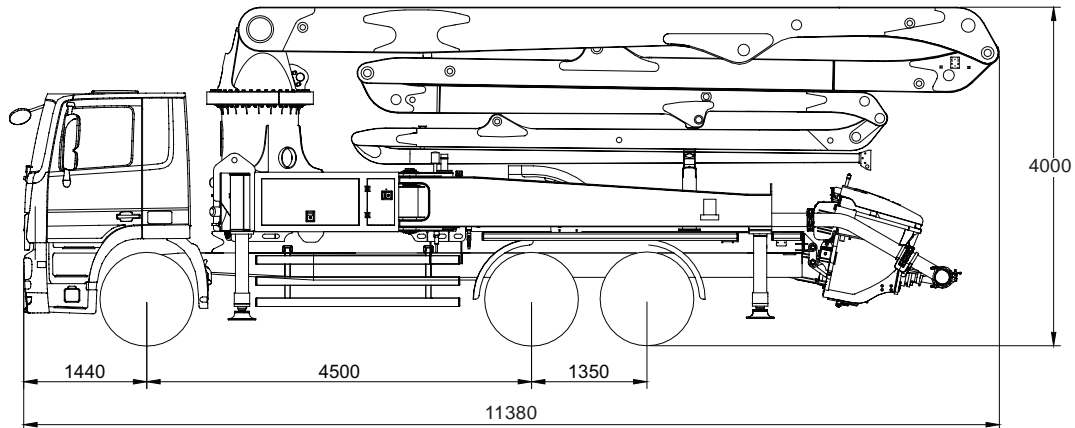


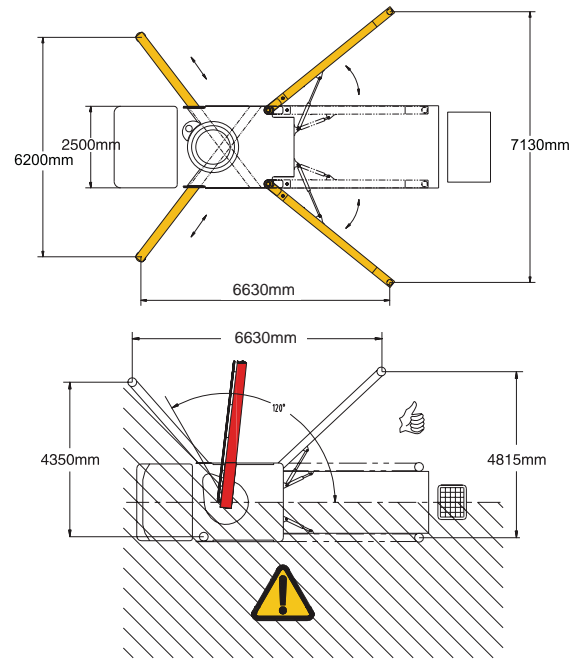
TECHNICAL SPECIFICATION

SANY 38M CONCRETE PUMP SERIES



Model		SYG5271THB 38		
		SY5295THB 380C-8	SYM5273THB DW 380C-8	
Boom & Outrigger Specification	Vertical Reach	38m	38 m	
	Horizontal Reach	34m	34m	
	Reach Depth	21.5m	21.5 m	
	Unfolded Reach	11.3m	11.3m	
	1st Section	Length	8510mm	8510mm
		Articulation	89°	89°
	2nd Section	Length	7260mm	7260mm
		Articulation	180°	180°
	3rd Section	Length	6000mm	6000mm
		Articulation	240°	240°
	4th Section	Length	6100mm	6100mm
		Articulation	180°	180°
	5th Section	Length	6100mm	6100mm
		Articulation	265°	265°
Rotation		±360°	±360°	
Outrigger Spread L-R---front		6200mm	6200mm	
Outrigger Spread L-R---rear		7130mm	7130mm	
Pumping System Specification	Output	Low-pressure	170m ³ /h	170m ³ /h
		High-pressure	120m ³ /h	120m ³ /h
	Pressure	Low-pressure	8.3Mpa	8.3Mpa
		High-pressure	12Mpa	12Mpa
	Max. Strokes per Minute	Low-pressure	23.5times/min	23.5times/min
		High-pressure	16.5times/min	16.5times/min
	Delivery Cylinder Diameter		260mm	260mm
	Stroke Length		1900mm	1900mm
	Hydraulic System		Open	open
	Hydraulic System Pressure		32Mpa	32Mpa
	Hydraulic Tank Capacity		640L	640L
Water Tank Capacity		600L	600L	
Pipe Size		125mm	125mm	
End Hose Length		3m	3m	
End Hose Diameter		125mm	125mm	

Footprint



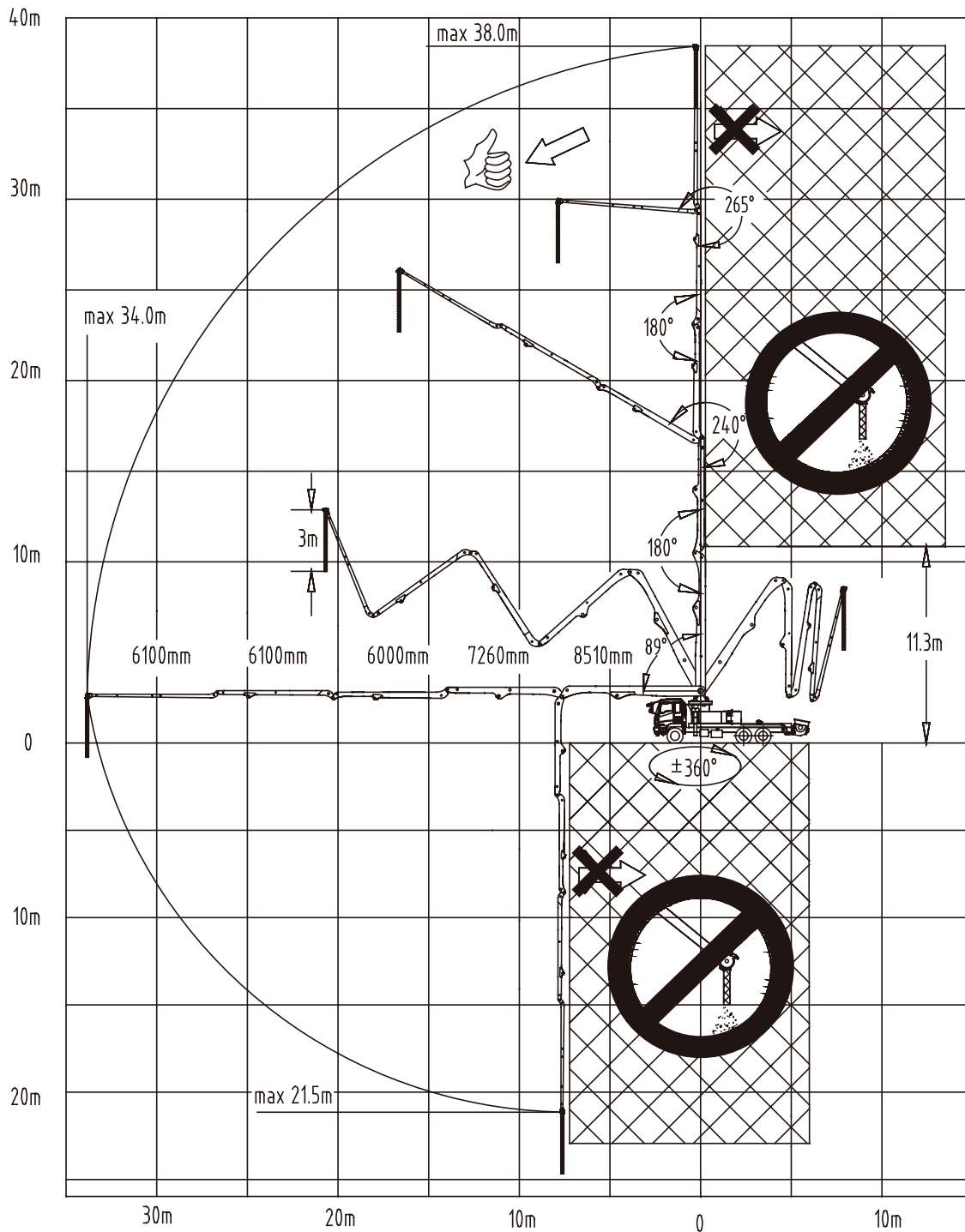
Sany 38m Concrete Pump Specification - EAPS - Dec 2017 Note: Specifications are for reference only and may be subject to change without prior warning.

Talk to our team today about our world-class solutions

0800 367 872 | EAPS.CO.NZ



Working Range Diagram



Sany 38m Concrete Pump Specification - EAPS - Dec 2017 Note: Specifications are for reference only and may be subject to change without prior warning.

Talk to our team today about our world-class solutions

0800 367 872 | EAPS.CO.NZ